



# ATX 340 EDX

EXPLOSION PROOF VEHICLES

## certifications available

### for EUROPE, MIDDLE EAST, ASIA

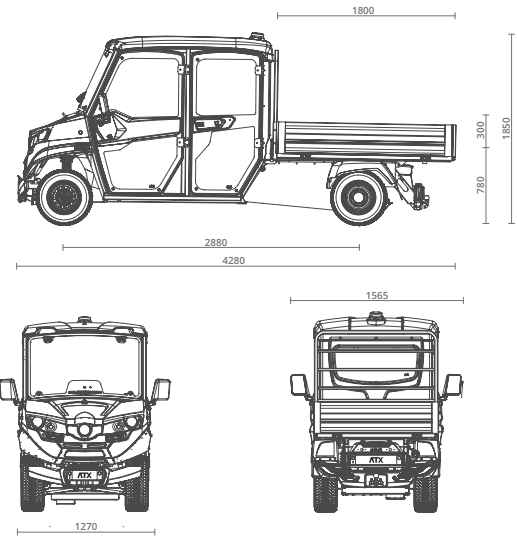
3G IIB T3 in conformity with ATEX 2014/34/EU  
3D IIB T3 in conformity with ATEX 2014/34/EU  
2G IIB T3 in conformity with ATEX 2014/34/EU  
2D IIB T3 in conformity with ATEX 2014/34/EU  
M2 T150°C in conformity with ATEX 2014/34/EU

### for NORTH AMERICA

Class I Division 2 in conformity with UL 583, Directive NEC 505  
Class II Division 2 in conformity with UL 583, Directive NEC 505  
Class I Division 1 in conformity with UL 583, Directive NEC 505  
Class II Division 1 in conformity with UL 583, Directive NEC 505

### for AUSTRALIA

2G IIB T3 in conformity with ATEX 2014/34/EU delivered with CAD certificate for each vehicle plus an overall specific ATEX certificate



## motor | performance

seats in cab		4
electric motor		AC 48V
motor power std / max	[kW]	8 / 14
top speed	[km/h]	35
max technical towing capacity	[kg]	3.000
maximum traction power	[N]	6.500
control electronics		CURTIS
vehicle performance settings		ECO and SPORT

## batteries

battery technology	Acid		
	Lead	Gel	
battery capacity	[kWh]	14.4	13.2
number of batteries		24x2V	24x2V
estimated battery life	[cycles]	1.500	1.200
maximum range	[km]	95	85
estimated recharge time	[hours]	8	11
complete charge consumption	[kWh]	9	7.5
power		230V 16A 50-60Hz	
type of socket		IEC 60309 16A 2P+E	
battery swap system		Δ	x
external battery charger		•	
external battery charger - type		with active PFC	
quick-change battery system		x	

## transmission

type		with electronic speed variation
wheel drive		rear
maximum negotiable slope	[%]	20 (25 empty)
rear differential unit		semi-floating
heavy duty differential unit		•

## brakes

front/rear	> front hydraulic disc brakes > rear hydraulic drum brakes with mechanical brake servo
parking brake	•
regenerative engine brake	•

## suspension

front	with MacPherson type independent wheels
rear	with DeDion bridge and stabilizer bar

## dimensions, loading capacity and weights

length (version with cargo bed)	[mm]	4.280
width (without mirrors)	[mm]	1.270
width (with wing mirrors closed)	[mm]	1.320
width (with wing mirrors open)	[mm]	1.570
height	[mm]	1.850
wheelbase	[mm]	2.880
ground clearance	[mm]	190 (at centre) 145 (skid pan)
cargo bed dimensions	[mm]	1.800 x 1.240 (length x width)
loading bed height from ground	[mm]	780
drop sides height	[mm]	300
battery technology		
loading bed capacity	[kg]	1.200 1.200
dry weight with batteries and driver (with cargo bed)	[kg]	1.515 1.515



# ATX 340 EDX

EXPLOSION PROOF VEHICLES

## electronics and lighting system

information available on dashboard display

- D1 | Display 1: speedometer, battery capacity indicator, motor temperature, inverter temperature, inverter errors, inverter generated current.
- D2 | Display 2: indicator lights showing vehicle switched on and operating, handbrake engaged, traction motor temperature alarm, headlights on, emergency indicators, low oil level and brake wear, brake temperature alarm.

battery capacity indicator

•

front and rear lights in road style

L1 : side lights, dipped headlights, high beams, stop, indicators, emergency, reverse, rotating beacon (Δ).

manual horn / reverse buzzer

•

## chassis and body

chassis

steel chassis with corrosion proofing treatment and powder coating finish

bodywork

impact resistant fiberglass

differential guard

•

front bull-bar

•

## steering

rack and pinion steering

•

min steering radius (internal) [mm] 3.840

## tyres

front 225/55 R12

rear 225/55 R12

**note** • **Top speed:** approximate, assessed on a flat route in optimum conditions of use in SPORT mode. **Maximum negotiable slope:** indicative and evaluated with empty vehicle in optimal conditions of usage on non-continuous ramps. **Maximum range:** approximate and assessed on a flat route in optimum conditions of use, ECO mode with correct and energy saver driving style, with speed no higher than 60% of the maximum speed, non continuous use (batteries discharge in 5 hours). **Estimated battery life:** approximate data based on information in the manufacturer's possession at the time this file was published. **Maximum towing capacity:** calculated in optimum conditions of use, the trailers must have repulsion brakes and conform to the law with maximum vertical weight on the tow hitch of 120 kg. **The technical specifications indicated in this catalogue** (such as performance, range, dimensions, etc.) depend or may depend on temperature, terrain, driving style, accessories, load or use of the vehicle. The data provided refers solely to use on a flat surface in optimum conditions of use, in other words an empty vehicle in the base version, lightest batteries, even and paved road surface outdoor temperature of 25°C, batteries fully charged, on board electronic devices switched off and without any accessory consumption. **The technical specifications,** design and performance of the products listed in this catalog are indicative and may undergo modifications without forewarning.

## optionals and accessories

### cab

3-point seat belts

•

presence sensor on the driver's seat

•

front doors

Δ

front doors with sliding windows

Δ

rear doors

Δ

rear door guards

Δ

rear seats bench

Δ

electric demister

Δ

air conditioning

Δ

### cargo area

cargo bed with drop sides

•

mesh sides

Δ

tarpaulin body

Δ

rear seats kit

Δ

rear shade canopy

Δ

ambulance body

Δ

roof for ambulance body

Δ

### other optionals

custom RAL colour

Δ

amber LED beacon light

Δ

road tyres

•